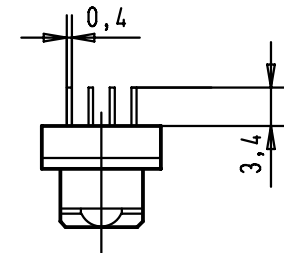
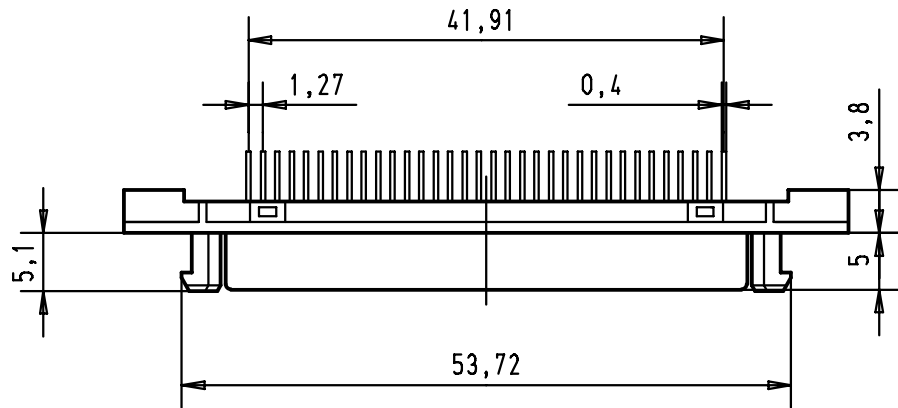
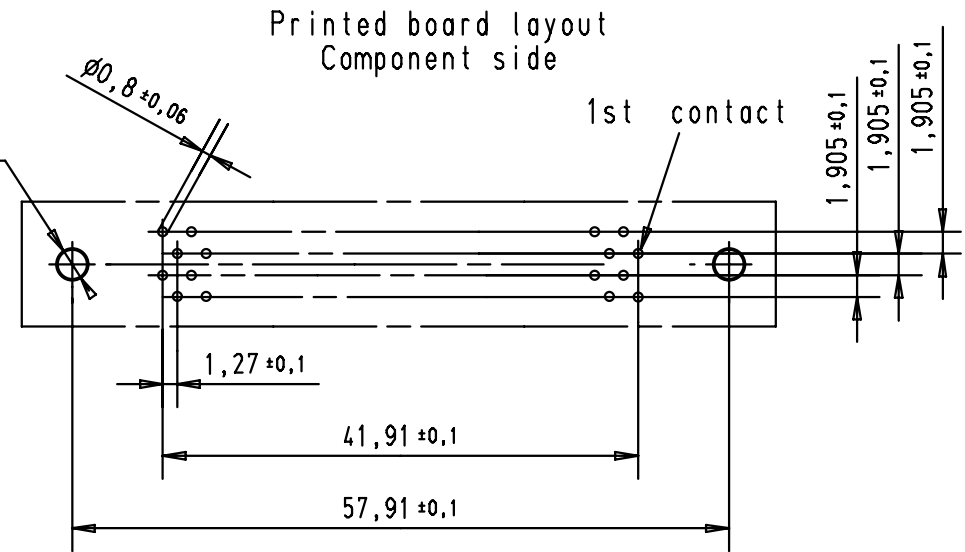
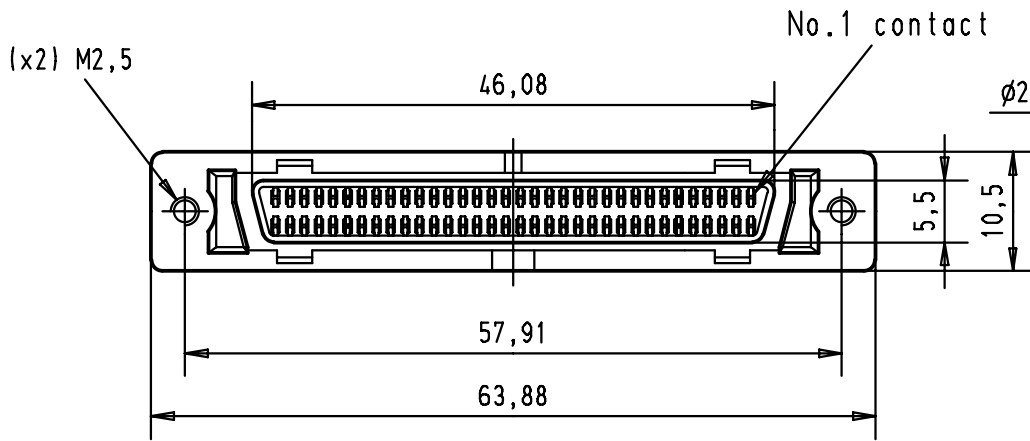




5 4 3 2 1



			Detail.	Dat.	Name	 All Dim. in mm Orig. Size DIN A 4	har.mik [®] I/O pin/socket Female connector 68 poles with straight solder pins and fixed latching	Maßstab/ Scale
		Insp.	30-AUG-00	JB	1,5:1			
		Stand.						
27941	30-AUG-00	JB	HARTING EURL F-95972 Paris				TB 60 01 068 5102	Blatt/ Page
Mod.	Dat.	Name					Sub.	1/1